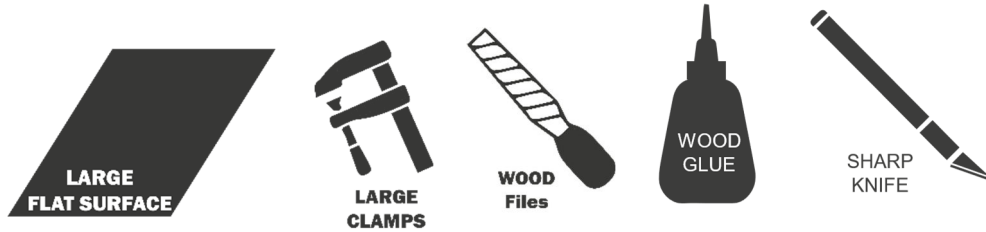


Index

COLOSSUS Assembly manual	2
Central Module Assembly	3
Display Drawer Assembly	3
Drawer Ink Assembly.....	4

COLOSSUS Assembly manual

You will Need:



The Colossus Storage Module is composed by many carefully packaged pre cut parts.

Use PVA glue on all wood to wood contact surfaces.

Some parts do not require Glue and can be interchanged if needed.

Warning: The wood can warp in transit and dimentions, you should let it rest indoor about 24h before assembly.

To ensure that all parts fit every assembly step should be assembled without glue, sometimes to ensure a perfect fit some tabs or corners might need to be filled.

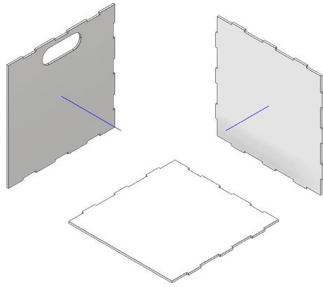
After checking that all parts fit together perfectly it can be assembled permanently with glue.

Parts may change a little as product is allways being upgraded, any doubts contact us.

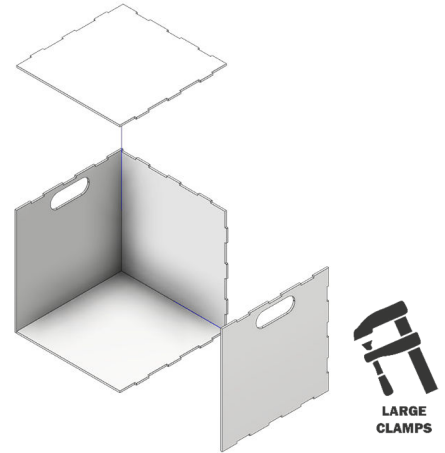
Central Module Assembly

Please note the order of the assembly and the orientation of the parts, in doubt please contact us at www.bluesharkstudio.com

1

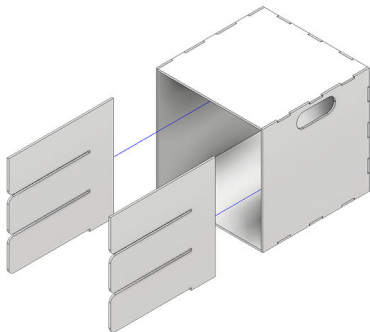


2

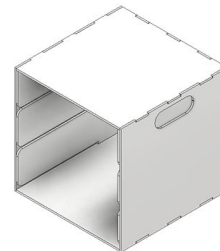


On this step the entire box needs to be clamped while the glue hardens.

3

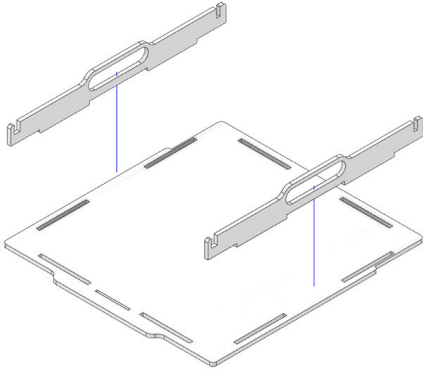


4

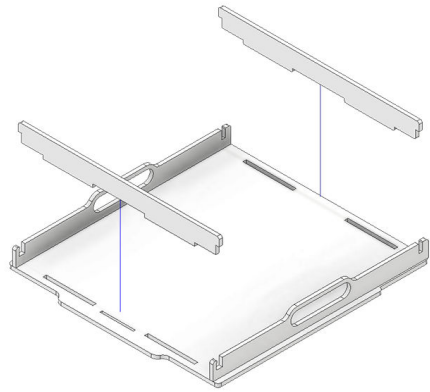


Display Drawer Assembly

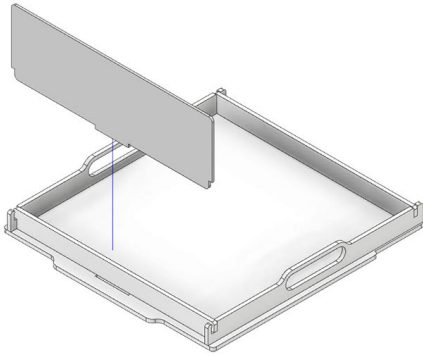
1



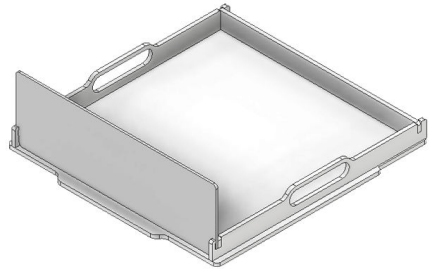
2



3



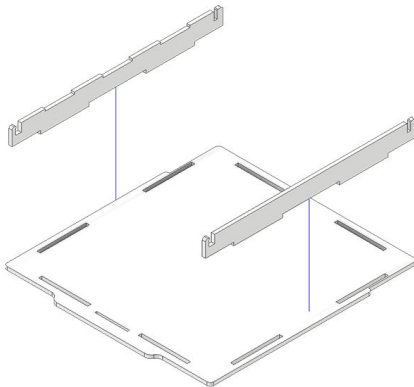
4



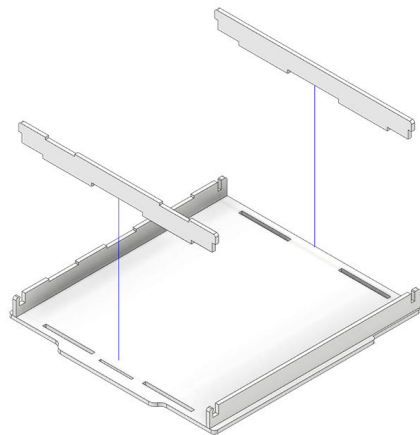
Note: Do not use Glue on the Acrylic parts, only wooden parts

Ink Drawer Assembly

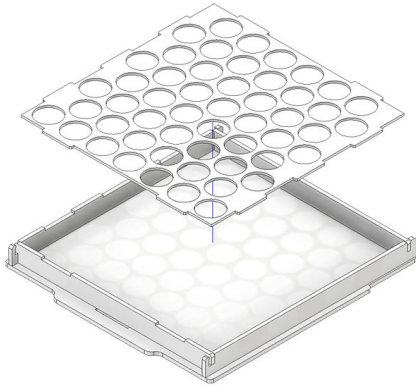
1



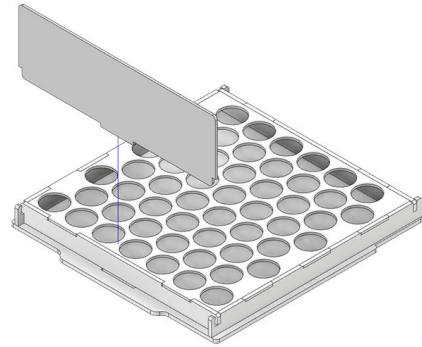
2



3



4



5



Note: Do not use Glue on the Acrilic parts, only wooden parts